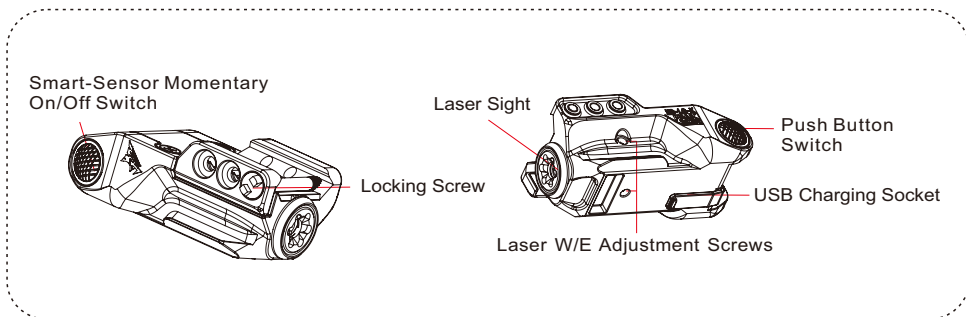


HG-LG-9 Tactical Compact Green Laser

Features

- Tactical Low Profile Compact W/E Adjustable Green Laser
- Light Weight and Reinforced Structure Design
- Mode Switchable between Constant and Pulse
- Integrated Weaver/Picatinny Mounting Deck
- Ambidextrous Push Button Switch for Power On/off and Mode Selection
- Build-in Rechargeable Battery Compatible with USB Type-C Charger

Structure



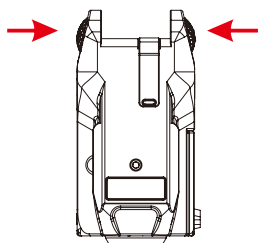
Model Family(s) & Specification

Green Laser	510-532nm, <5mW, Class 3A
Housing Material	Fiber Reinforced Nylon PA66
Dimension	2.3(L)*1.0(H)*1.2(W)/inch 57.7(L)*24.6(H)*30.53(W)/mm
Net Weight	1.85oz(52.5g)
Battery Type	Build-in Rechargeable Battery
Working Mode	Constant/ Pulse
Battery Runtime	Constant 1.5hrs/ Pulse 2.5hrs

Delivery Sets

- Laser Sight Micro-USB Cable Wrench
- User Manual

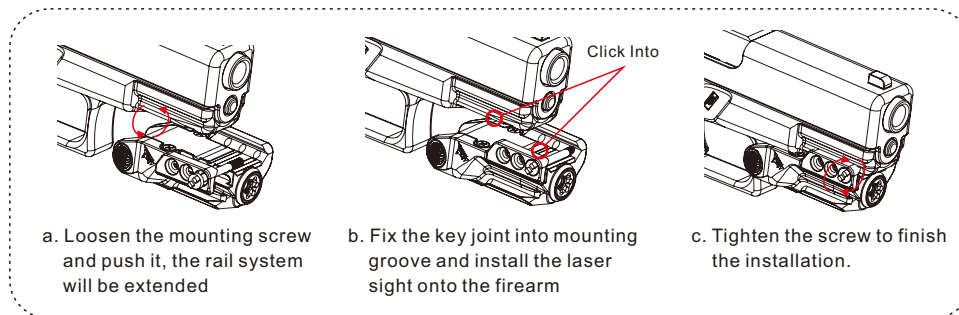
Operating Instruction



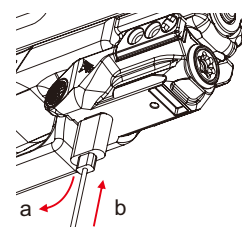
- Click on either side of the Ambidextrous Push Button Switches to turn on/off the unit.
- Turn on the unit, press and hold on either Ambidextrous Push Button Switches for 3 seconds to switch the Working Mode.
- Adjust the Laser W/E Adjustment Screws to sight in the laser.

Mounting

WARNING: After first checking to insure that weapon is unloaded and has no ammunition in the chamber.

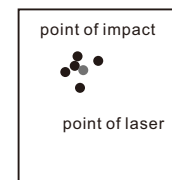
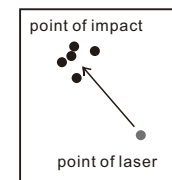


Charging



Zero Adjustment

- Fix the laser sight to the barrel on a weapon.
- Place the weapon in a vise or on a shooting bench.
- Place a target about 30m away.
- The next step assumes that the weapon's iron sights or other sighting system is correctly zeroed for 30m. If not, turn the laser off and fire 5 rounds at the target to see the point of impact grouping. If necessary, adjust your sights to the correct point of impact.
- Take aim again using the exact same sight picture as in step #4. Turn on the laser sight and you will see the difference in distance between the laser dot and the real point of impact. To adjust the laser to be point of impact, the windage and elevation will need to be adjusted. Rotating the windage and elevation with Allen wrench to adjust the laser.
- Now use the laser sight, aim at the target, and shoot another group of 5 rounds. If the point of the laser is near the points of impact, then the zero adjustment has been accomplished.



Safety Precautions

Direct viewing of the laser is hazardous to the eyes.
 Never look directly into the laser beam.
 Never point laser beam at person.
 Do not allow children to use laser sight unless under adult supervision.



Warning: Laser beam is forbidden to shoot eyes and skin directly, blindness and burn will be caused.